

Drawing Number: P8-013-1-□□□□□

1. Housing Material: Polycarbonate, UL Flammability Rating:

①=UL 94V-0, RoHS Compliant.

②=UL 94V-2, RoHS Compliant.

2. Contacts Type: ①=Straight pin fits Stranded wire only.

②=Two prong angled pin fits Solid/Stranded Wires.

③=Three prong pin fits Solid/Stranded Wires.

3. Gold Plating: ①= Fu" (Flash), ②= 2-3u" ($0.0508 \mu m \leq A \leq 0.0762 \mu m$),

③= 3u" ($\geq 0.0762 \mu m$), ④= 6u" ($\geq 0.1524 \mu m$),

⑤= 15u" ($\geq 0.381 \mu m$), ⑥= 30u" ($\geq 0.762 \mu m$),

⑦= 50u" ($\geq 1.27 \mu m$).

4. Packaging Quantity: ①=1000pcs, ②=500pcs, ③=250pcs, ④=200pcs

⑤= 100pcs, ⑥= 50pcs, ⑦= 25pcs, ⑧= 10pcs

⑨= Other

5. Housing Color: Transparent, other colors are available.

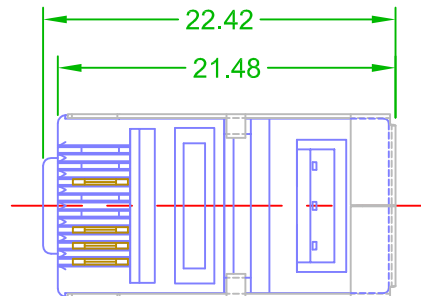
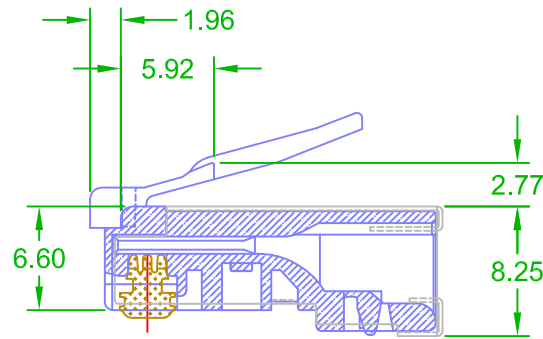
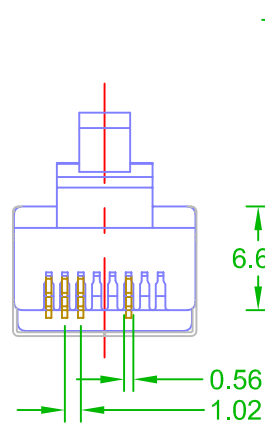
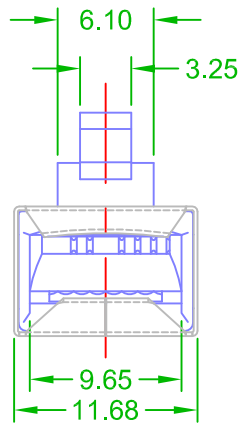
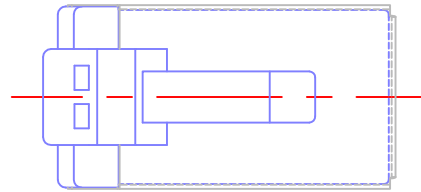
(Red=RD, Orange=OR, Yellow=YL, Green=GN, Blue=BL, Purple=PU, Black=BK)

6. Shielded Material: Brass with nickel plated, or Non-Shielded.

7. Operating Temperature: -10°C to 60°C.

— Housing Material (0, 2)
 — Contacts type (1, 2, 3)
 — Gold plating (F, A, H, B, C, D, E)
 — Packaging Quantity (S, T, U, V, W, X, Y, Z)
 — Housing Color (RD, OR, YL, GN, BL, PU, BK)

NO: PX-0XX-□□□□□



□ Straight pin



□ Two prongs pin



□ Three prongs pin

NOTE TOL: ±0.1

B	2018.09.28. Rescheduling coding	3RD		Drawing	Chidy	Date	2004/11/11	UL Code	8P4C-S
A	An initial version	Unit	m/m	Checked	Chris	Date	2004/11/11	Description	
Rev	Description	Scale	1:1	Approved	Jason	Date	2004/11/11	R Shielded	1.2.3.6 pin



Plug Master
INDUSTRIAL CO., LTD
www.plugmaster.com.tw